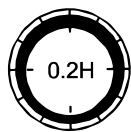
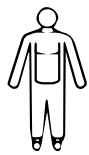
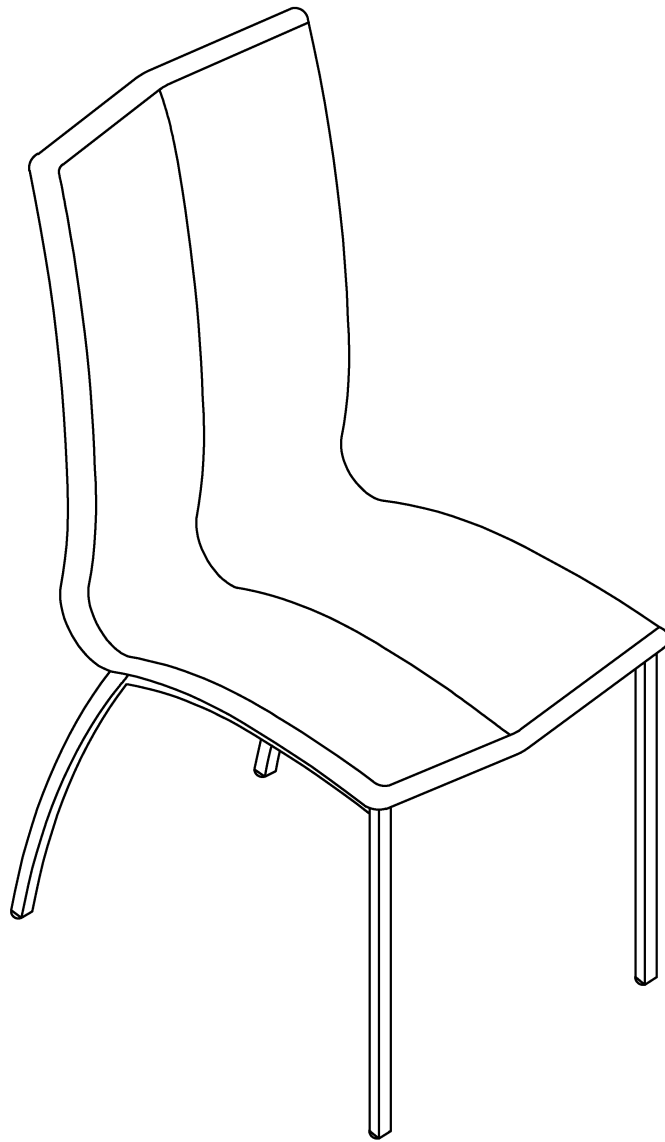


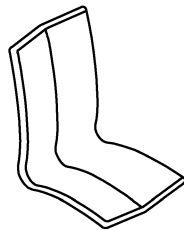
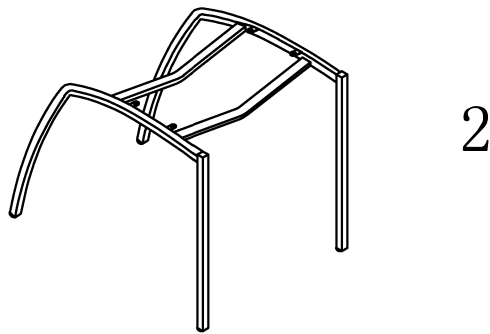
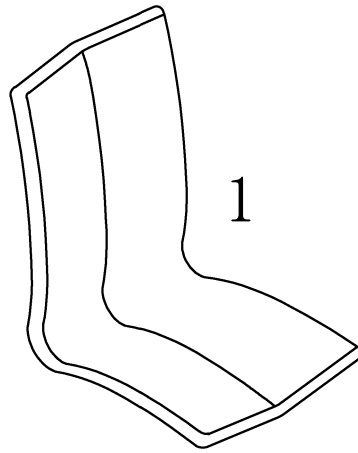
# Dallas

---

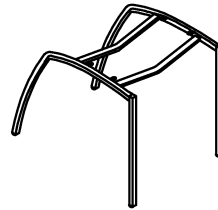


# Dallas

---



1(X1)



2(X1)

---

M6\*18  
A(X4)



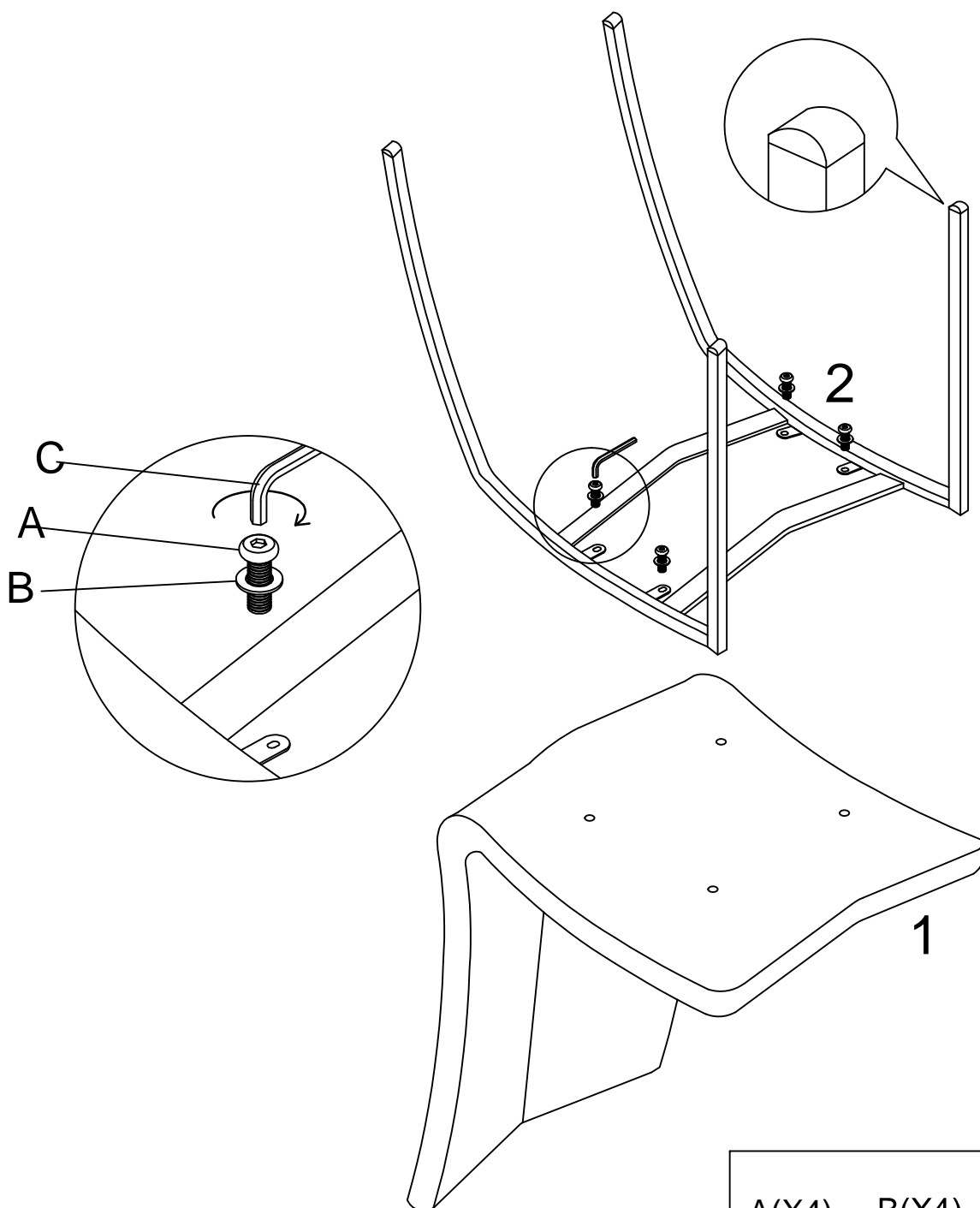
Ø6\*18\*1  
B(X4)



5#  
C(X1)



# Dallas



A(X4) B(X4) C(X1)

